

STADLER S.A.



50 ANNIVERSARY

**YOUR SINTER
DEVELOPMENT
PARTNER
SINCE 1969**

IDEAL EXPERIENCE PARTNER

Stadler is one of the worlds cost-effective manufacturer of precision Powder Metal products with the best delivery performance, highest quality standards and excellent service, always providing best value for our customers at a competitive price.



Belt conveyor furnaces Sarnes, Mahler, Cremer, Coel

Since 1969, Stadler has been offering a large technical expertise, advising to customers the latest advances in Powder Metallurgy. From design to serial production a full range of complex shape and high-strength products have been delivered thanks to an innovative and passionate team.

Stadler is your strategic partner for innovative powder metallurgy application, providing profitable and reliable solutions for your **customer's satisfaction**, collaborating in all the project phases with technical-economical proposals, keeping up with the demanding market expectation.

Stadler collaborate not only with the main OEMs like VW or Daimler, but also with the principal Tier 1 and Tier 2 players. From your initial concept to serial deliveries, Stadler is the ideal partner for innovative solutions.

From initial concept, over product development, to serial production

1 Premix powder



2 Steel, Stainless Steel, Bronze, SMC, Magnets



3 Compacting presses from 60 to 4500kN



EFFICIENT CUTTING EDGE TECHNOLOGY

Stadler has a **long tradition of manufacturing** structural parts for automotive components with a high level of automatization. Stadler continuous improvement over the years assures cost effective productivity.



4 | Robodrill: Green Machining

5 | Production line concept

6 | Automatized lines

7 | Sizing presses from 60 to 4000kN

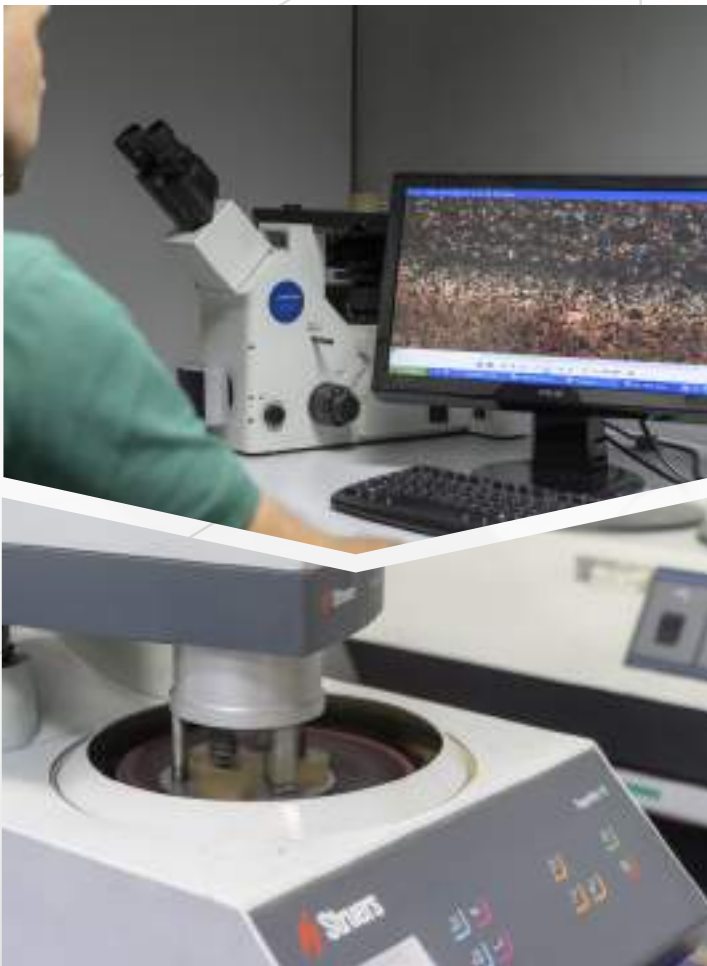
8 | Machining, honing and high precision grinding

A dedicated Client orientated production Team together with highly **automatized** lines guarantee the best performance delivery.

CLIENT SATISFACTION IS PRIORITY

Product Quality and reliability are guaranteed thanks to Quality Department involvement from the early development Project stages as well as periodical inspection during each production step, with close process parameter monitoring and a continuous improvement attitude.

QUALITY



Microstructural analysis.
All the necessary laboratory equipment for deep analysis



CMM Machines



Cleanliness test equipment



Cracks analysis

KNOW HOW

“WE KNOW HOW” EXCELLENCE IN INNOVATION

Stadler **competences** in physical and electromagnetic properties of PM material and process parameters, guarantee the most efficient solution, always focusing on market demand in weight and CO₂ emission reduction, noise and vibration optimization.

A Team of creative and innovative designers and engineers who will ensure that all of your requirements are fulfilled

From **Technical feasibility** to the most innovative **Design proposals** going by cost efficiency product-process development keeping functionality always in mind.

Highly qualified technical Team together with the latest design tools in the sector provide your customized solutions.

Maximising synergy between the different innovation agents such as universities and research centres.



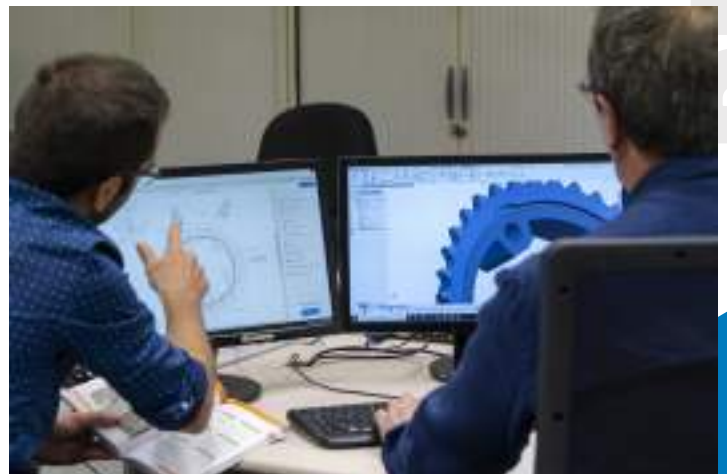
Complete in-house tooling design



Tooling manufacturing facilities



100% automatic control



Product-Process development

RESEARCH

HIGH PERFORMANCE SOLUTIONS

Stadler offers a full range of complex shape and high-strength products for many markets, such as Compressors, Power Tools or Sewing Machines, but mainly for the Automotive Market.

Materials: Steel, Stainless Steel, Bronze, SMC's and bonded permanent magnets.

Stadler products are present in many automotive functions including Fluid Technology, Engine, Mechatronic, Emissions Control, Driveline, Interior and Electrification as well as a broad variety of others.

FLUID TECHNOLOGY



MECHATRONICS



ENGINE



INTERIOR



MARKETS



Automotive



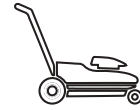
Two wheels



Compressors



Food Industry



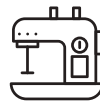
Lawn & Garden



Market Appliances



Power Tools



Sewing Machines



Industrial Machines



Aerospace

ELECTRIFICATION



EMISSION CONTROL



TRANSMISSION



DRIVETRAIN





FLUID TECHNOLOGY

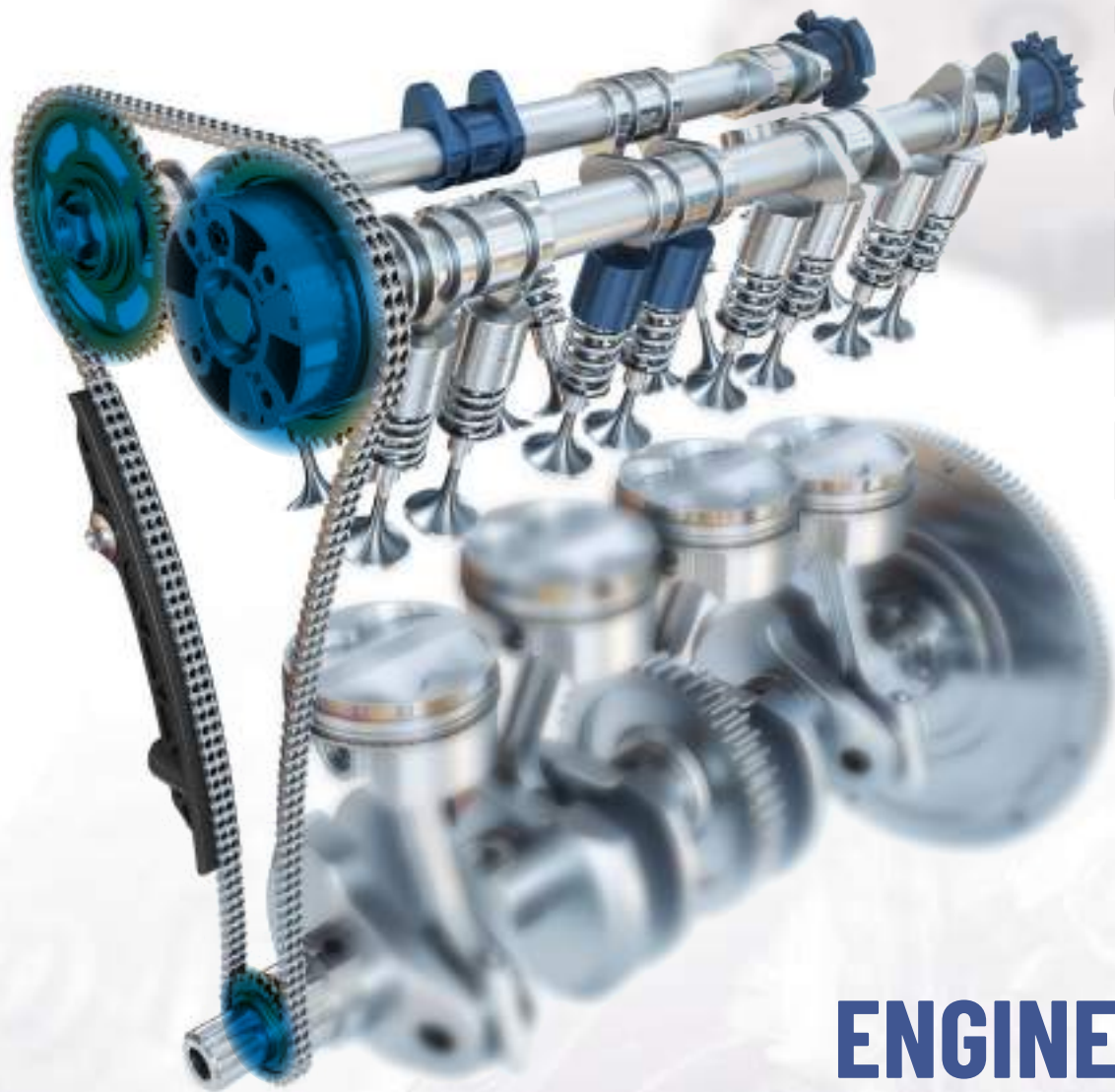
Stadler has **extensive experience** in developing Pump Components for a wide range of applications such as Oil, Fuel, Urea, Vacuum, Steering and Water Pumps.

G-rotors, Adjusting Rings, Vane Rotors, Cam Rings, Couplings, Housings, Stators and Plates are successfully delivered from Stadler to OEMs and Tier1 customers with high accuracy, including the necessary finishing operations, treatments and coatings, contributing to improving efficiency and CO₂ emissions reduction.

EXPERIENCE

MECHATRONIC

Stadler expertise in PM enables our Customers to increase efficiency and design complex mechanisms, providing high performance solutions. Valve Bridges, Sensor Rings, VVT Components and Sprockets are representative examples of successful collaboration.



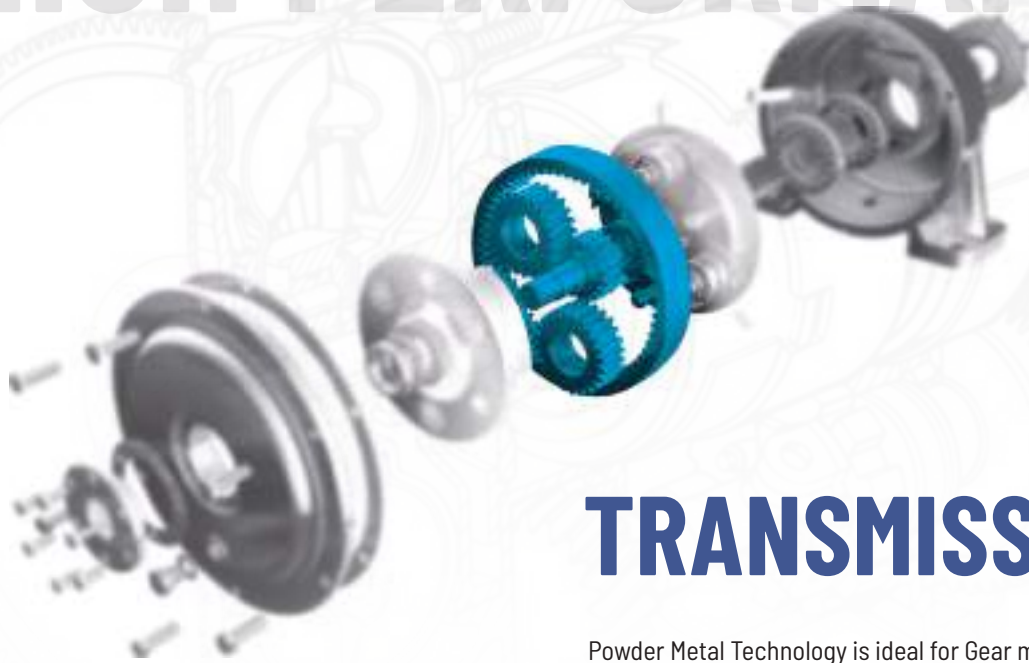
EFFICIENCY

ENGINE

One of the main applications of PM are engine products. Stadler develops and manufactures a large variety of components for innovative product solutions, such as Pulleys, Tensioners, Bearing Caps, Sprockets, among others.

INNOVATION

HIGH PERFORMANCE



TRANSMISSION

Powder Metal Technology is ideal for Gear manufacturing.

Stadler produces gear and transmission parts, starting from the definition of the material composition, continuing with heat and surface treatment, to fulfill Client Specifications.

EMISSION CONTROL TECHNOLOGY

New regulations push automotive industry to reduce CO₂ emissions and increase engine efficiency. EGR and Exhaust systems have been developed to reach the new specification. Stadler manufactures sintered Stainless Steel parts for such applications: EGR flanches, ogives, sensors, taking into account oxidation resistance and welding requirements.



SUSTAINABILITY

SAFETY

DRIVELINE

The increase in safety, comfort and efficiency are some of the challenges of Driveline Components.

Customer products include Stadler high performance components maximizing final customer satisfaction. ABS Sensor rings, Parking brake segment, Steering Wheel Adjustment components are some good examples.



INTERIOR

Application for interior is a combination of mechanical, electrical, electronic and sensor systems. Stadler Sinter Components are present in all of these fields, providing a unique experience to your customer in comfort and safety with high efficiency.

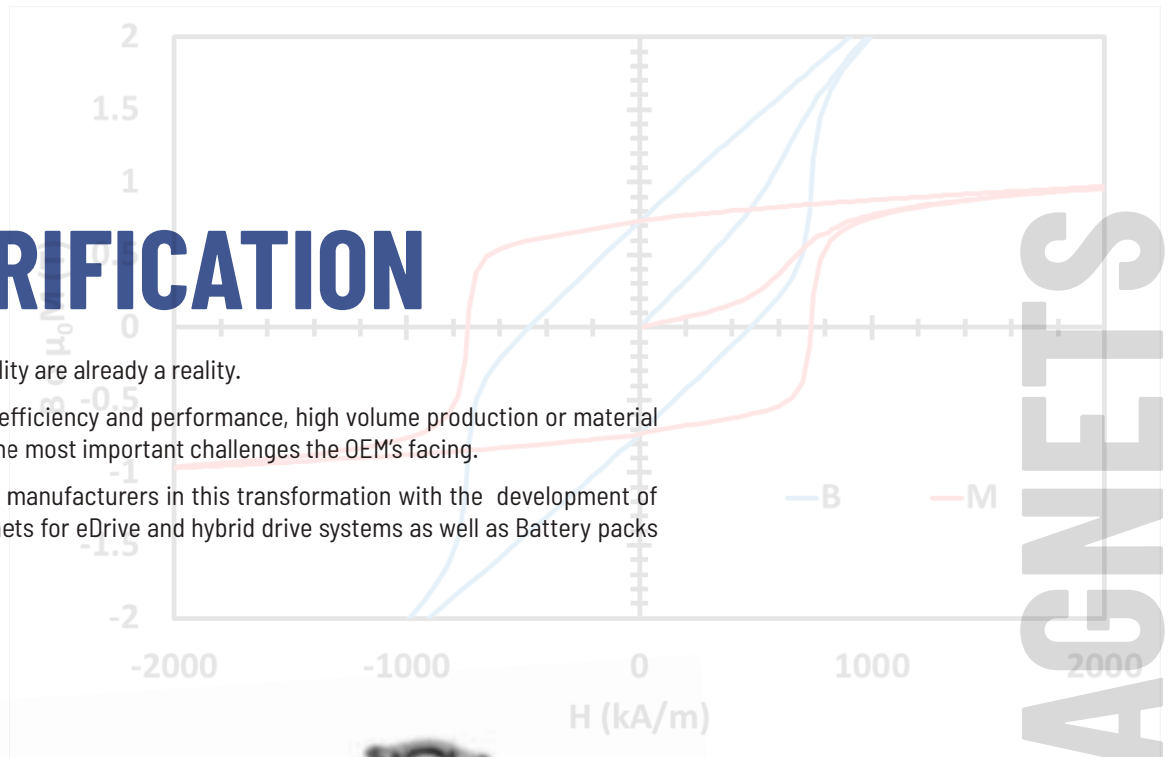
COMFORT

ELECTRIFICATION

Electrification and eMobility are already a reality.

Size and cost reduction, efficiency and performance, high volume production or material supply risk are some of the most important challenges the OEM's facing.

Stadler is supporting the manufacturers in this transformation with the development of bonded permanent magnets for eDrive and hybrid drive systems as well as Battery packs components.

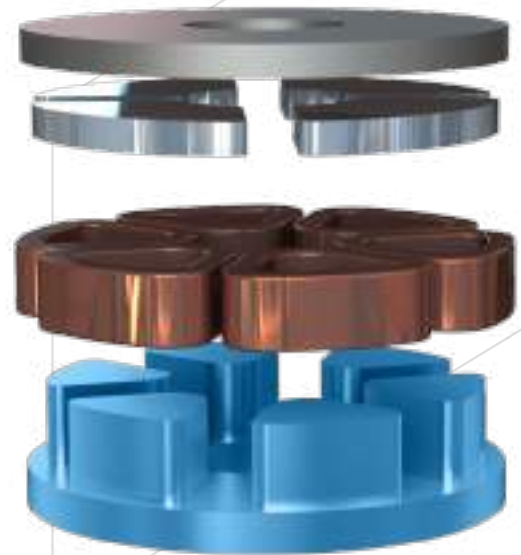
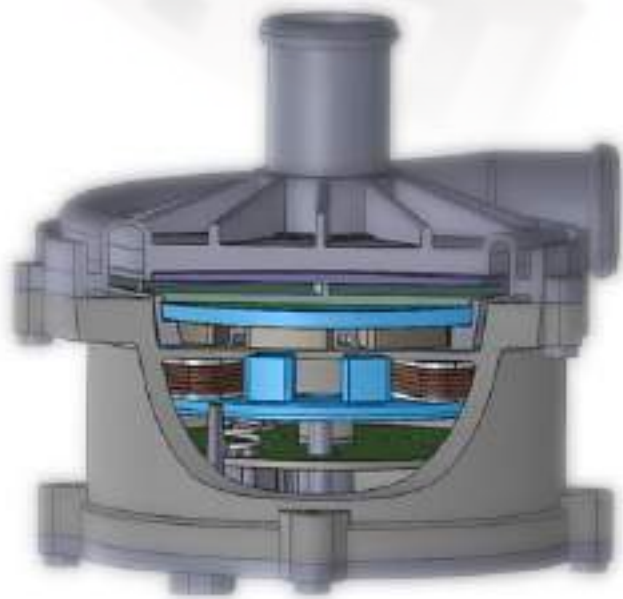


Battery packs components and permanent magnets

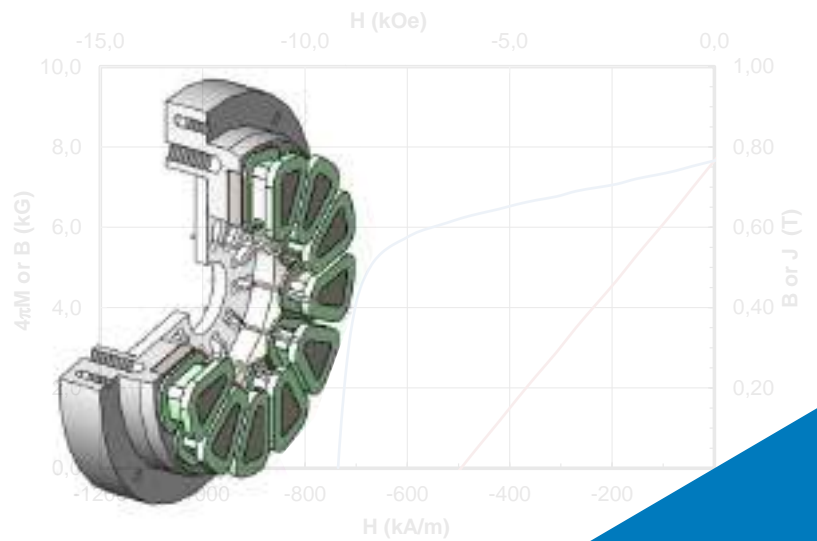


COMPLEX SHAPE MAGNETS

HIGH POWER DENSITY



Axial flux Stator. © Hoganas AB



SOFT MAGNETIC COMPOSITE

SMC allow the magnetic field to be conducted in all three dimensions and reducing the losses. Stadler has an extended experience manufacturing SMC's components mainly for automotive industry.

3D MAGNETIC FLUX

SINERGY TEAM COLLABORATORS, KEY FOR SUCCESS

RioTinto

Proud Supplier of Stadler S.A.
Happy 50th anniversary!

STADLER S.A.

50
1969 - 2019

Fe
26

Metal Powders
www.qmp-powders.com

GMP

ISO 9001 IATF 16949

ceit

KNOWLEDGE BASED ON 30 YEARS OF EXPERTISE

Making powders work

- HARD MATERIALS
- PM STEELS
Gears, Sync
hubs...
- METAL POWDER
ATOMISATION
- ADDITIVE
MANUFACTURING
AND LASER
- RECYCLING
- MAGNETS
- HIP

NEW FACILITY OF 250KG

Paseo de Manuel Lardizábal, N° 15 • 20018 Donostia - San Sebastián • Tel. (+34) 943 212 800 • Fax (+34) 943 213 076
iituriza@ceit.es • www.ceit.es

THANKS TO OUR SUPPLIERS, WE ARE STRONGER



FRANKENSTEIN
Im µ-Bereich nicht tolerant.

CONTRACT HONING AND
COMPLETE COMPONENTS

Riedstraße 2
72813 St. Johann (Württemberg)
Tel: +49 (0)7142 - 82 592 - 0
Fax: +49 (0)7142 - 82 592 - 22

info@frankenstein-precision.de
www.frankenstein-precision.de



CREMER
Thermoprozessanlagen GmbH

Delivering Tailor-Made
Thermal Process Equipment

www.cremer-polyfour.de



Desde el año 1962

skinter

ENVASADOS EN SKIN, BLISTER
Y MOLDEO POR VACÍO

Asteasuko industrialdea, 46-47
20159 ASTEASU | www.skintersl.com



interbil
Ingeniería Térmica Bilbao s.L.

**Ingeniería y Productos para
Hornos y Procesos Térmicos**

Diseño, Comercialización, Distribución y
venta de productos para hornos, como
materiales refractarios y aislantes,
resistencias, quemadores, instrumentos y
equipos de medida, control, regulación y
supervisión, etc

INTERBIL - INGENIERÍA TÉRMICA BILBAO SL
Pol. Ind. Sangróniz, Iberre 1, M5 - 48150 Sondica
T: (+34) 944 53 50 78 | F: (+34) 944 53 51 45 | E: bilbao@interbil.es - www.interbil.es



Cintas transportadoras metálicas

CODINA

C/ San Joan Bautista, 57
08789 La Torre de Claramunt - Barcelona
Tel. 0034 938 01 15 40 · Fax 0034 938 01 26 02
www.codinametal.com



IMDUSA

LOCTITE IMPREGNACIONES
DESDE 1987 SELLANDO MICROPOROS

LOCTITE

Poligono Industrial Mallabiena, 4
48125 Iurreta (Bizkaia)
Telf.: 946 819 091 | Fax: 946 202 625
e-mail: imdusa@imdusa.es
www.imdusa.es



Höganäs 

Metal powder solutions
that help industries make more with less

www.hoganas.com

ADVANCED THINKING EXPERIENCE
PARTNERSHIP
HIGH VOLUME



SANTXOLOPETEGI 26
20560 OÑATI - GIPUZKOA
SPAIN



+34 943 78 07 11



stadler@stadler.es



www.stadler.es



FLEXIBILITY



ADDED VALUE
INNOVATION
PROACTIVITY
HIGH PERFORMANCE
SOLUTIONS

